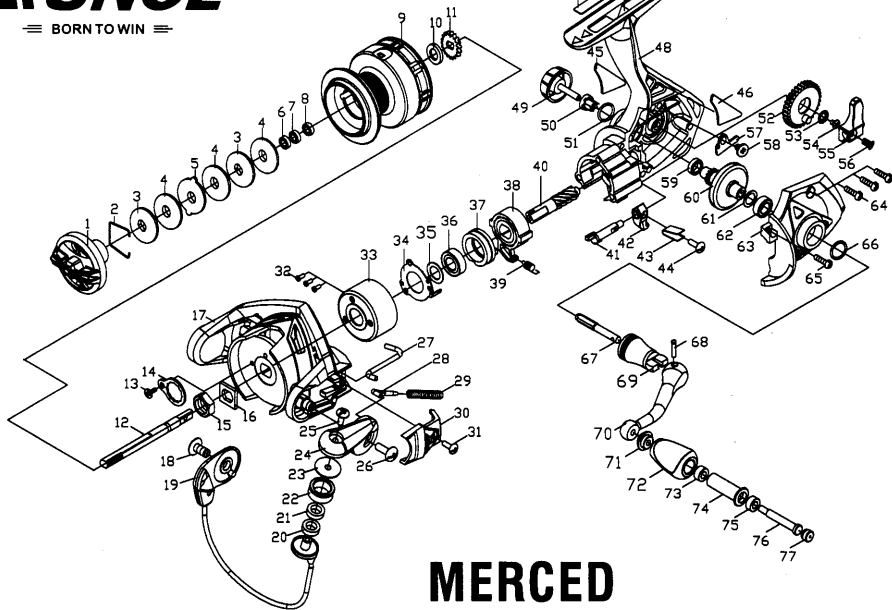


RUNCL

≡ BORN TO WIN ≡



MERCED 2000/3000/4000/5000

NO.	PARTS NAMES	NO.	PARTS NAMES	NO.	PARTS NAMES
1	DRAG KNOB ASSY.	27	BAIL HOLDER SLIDER	53	O/S GEAR CLIP
2	SPOOL SNAP RING	28	SPRING LEADER	54	SCREW
3	KEY WASHER	29	SPRING	55	O/S SLIDER
4	BRAKE WASHER	30	BAIL ARM COVER	56	SCREW
5	EARED WASHER	31	SCREW	57	SLIDER SQUASH
6	BALL BEARING	32	SCREW	58	SCREW
7	BALL BEARING	33	BODY TOP BUSHING	59	BALL BEARING
8	BALL BEARING	34	LOCATING DEVICE COVER	60	DRIVE GEAR
9	SPOOL ASSY.	35	GEAR WASHER	61	GEAR WASHER
10	CLICK GEAR WASHER	36	BALL BEARING	62	BALL BEARING
11	CLICK GEAR PIECE	37	LOCATING DEVICE	63	MAIN BODY COVER
12	MAIN SHAFT	38	ONE WAY	64	SCREW
13	SCREW	39	PAWL SPRING	65	SCREW
14	NUT CORVE	40	PINION GEAR	66	SEAL RING
15	HEXAGON NUT	41	ANTI-REVERSE SHAFT	67	HEXAGON SHAFT
16	KEY WASHER	42	ANTI-REVERSE KNOB	68	HANDLE CANNULA
17	ROTOR SHELL	43	SPRING LEVER	69	BOLT BAR
18	SCREW	44	SCREW	70	HANDLE
19	BAIL SPRING ASSY.	45	MAIN BODY ORNAMENT FLAKE	71	GRIP CANNULA
20	BALL BEARING	46	MAIN BODY ORNAMENT FLAKE	72	GRIP
21	BALL BEARING	47	BODY ORNAMENT FLAKE	73	BALL BEARING
22	LINE ROLLER	48	MAIN BODY	74	GRIP CANNULA
23	LINE ROLLER WASHER	49	HANDLE CAP	75	BALL BEARING
24	BAIL ARM	50	PAPER WASHER	76	GRIP RIVET
25	SCREW	51	SEAL RING	77	GRIP CAP
26	SCREW	52	O/S GEAR		

